

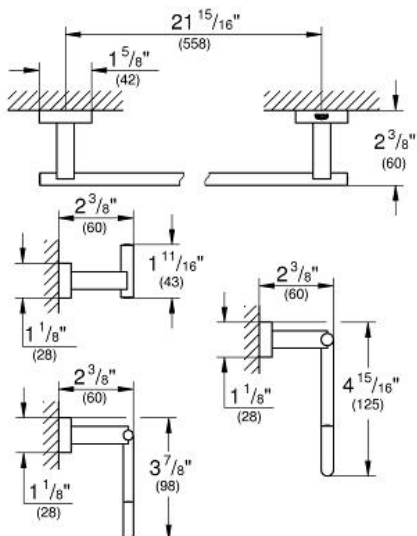
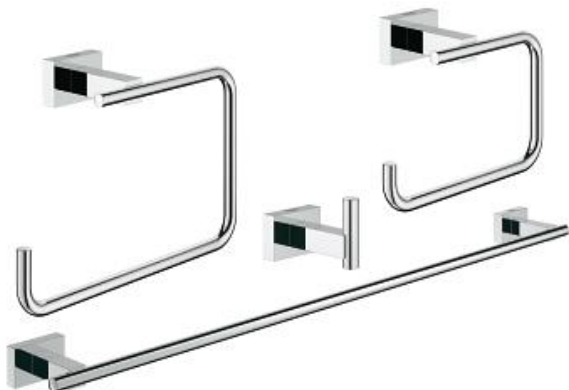
ESSENTIALS CUBE

MODEL # 40778001

Pure Freude an Wasser



GROHE America, Inc | 200 North Gary Avenue, Suite G, Roselle, IL 60172
Phone: +1 (800) 444-7643 | Fax: +1 (800) 225-2778 | us-customerservice@grohe.com



Product Description:

Standard Specification:

- Material: Metal
- Includes robe hook (40 511 001)
- Includes 8" towel ring (40 510 001)
- Includes toilet paper holder (40 507 001)
- Includes 24" towel rail (40 509 001)
- Concealed fastening
- **GROHE StarLight** chrome finish

Color:

- 40778001 StarLight Chrome